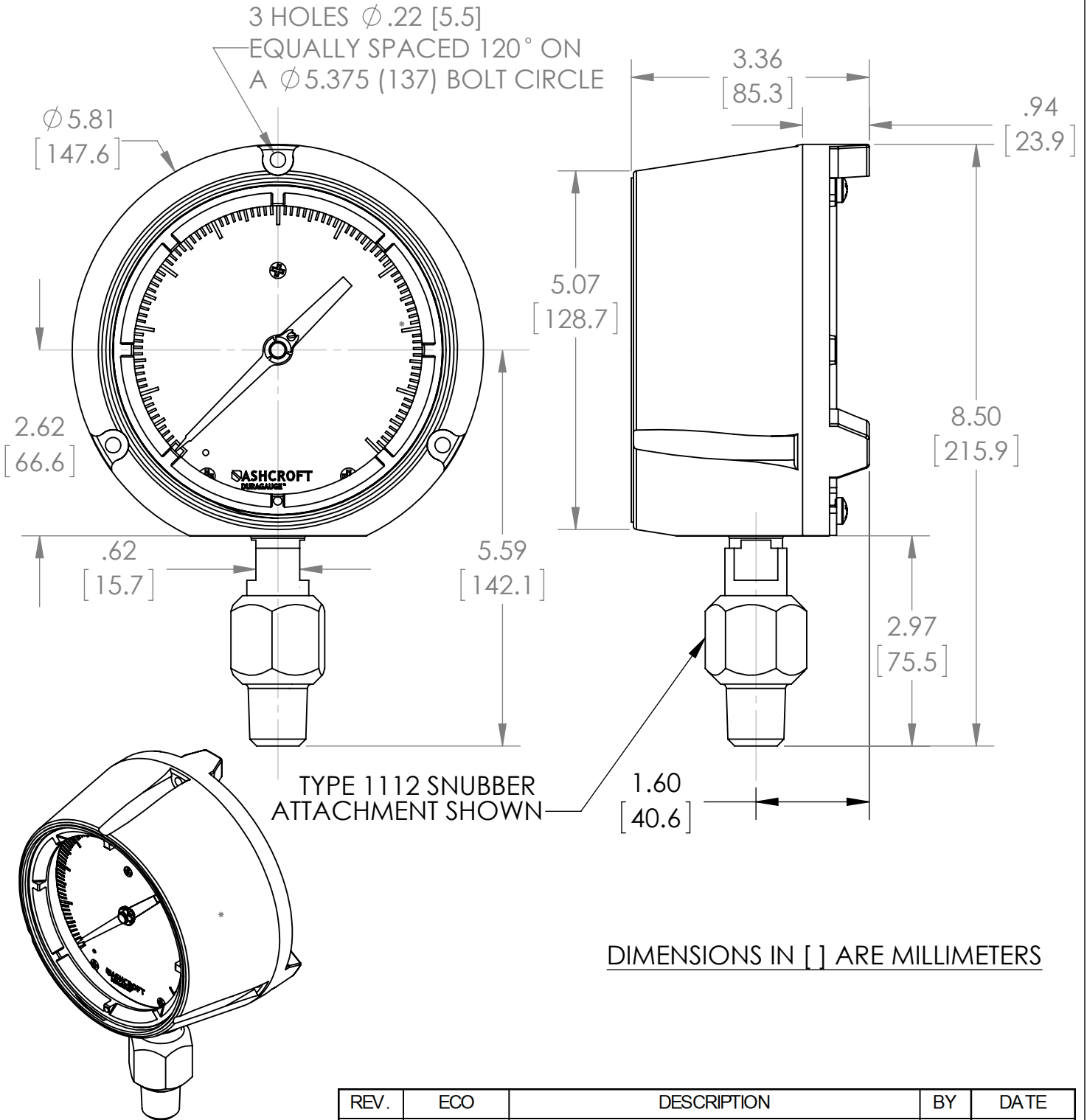


This drawing includes confidential information which is the property of ASHCROFT INC. This copy is loaned for a specific purpose, with the understanding that it will not be reproduced or used for any other purpose or disclosed to others, and it will be returned on demand.

ASHCROFT INC.

250 EAST MAIN STREET
STRATFORD, CT 06614



DIMENSIONS IN [] ARE MILLIMETERS

REV.	ECO	DESCRIPTION	BY	DATE
A	5657	RELEASED GENERAL DIMS.	JDB	5/14/2012

This print certified correct for		General Dimensions			
Customer's Name		45 1279 04L SERIES			
		TURRET CASE DURAGAUGE W/ SNUBBER ATTACHMENT			
Customer's Order No.		Drawn JDB	Date 5/14-2012	Date of Issue	
Ashcroft Order No.		Checked	Date	SHEET-1	Rev.
Certified by	Date	Approved	Date	70A3934	A